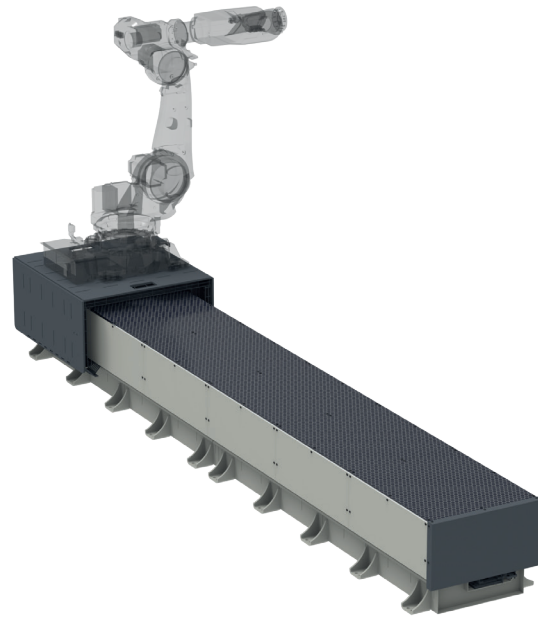


### Specifications

Fully covered steel track with 2000kg maximum payload. The steel structure is covered with a walkable upper plating, protecting the tracks internal components from falling particles, or dripping fluids. Modularly extendable structure to fit to the customer's specifications.

### Available options:

- Double carriage,
- Automatic lubrication
- Ina, Bosch Rexroth, Schneeberger, Hiwin, Thk brand guidance system.
- Extended carriage for carrying welding power source and wire barrel
- Inner cable chain (there is no cable chain out of the track).



<u>Technical Data</u>		<u>Only Robot</u> (Including Tool & Workpiece)	<u>With Additional Static Load</u> (Including Robot & Additional Equipment)
<b>Max. Payload</b>	(per carriage) kg	1.000	2.000
<b>Max. Speed</b>	m/min	150	120
<b>Max Acceleration</b>	m/s <sup>2</sup>	3	2
<b>Available stroke</b>	travel length	From 2 m, in 1 m steps	
<b>Total length</b>		Stroke + 1.3 m	Stroke + 1.3 m
<b>Robot Payload</b>	kg	60-150	
<b>Max. Robot Weight*</b>	kg	1.000	
*Includes tool, workpiece, options			
<b>Mounting position</b>		Floor, Wall**, Ceiling, Elevated***	Floor, Wall**, Ceiling, Elevated***
**In case of wall mounting, maximum payload reduces to half			
***Ask for detailed information about it			
<b>Repeatability</b>	mm	± 0,01	± 0,01
<b>Life</b>	million meter	10	10

