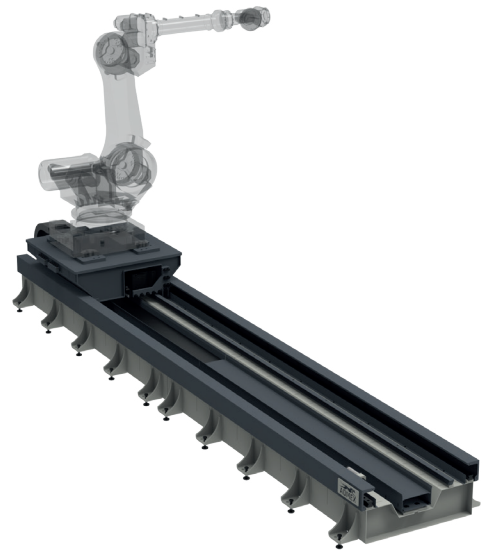


Specifications

The STN family's top range, for a total payload up to 6 tons. The structure is welded steel, similarly to the whole STN family. The modular construction makes it easily adaptable for various needs, to fit to the customer's specifications.

Available options:

- Double carriage,
- Automatic lubrication
- Ina, Bosch Rexroth, Schneeberger, Hiwin, Thk brand guidance system.
- Extended carriage for carrying welding power source and wire barrel
- Closed or open cable chain
- Cable chain mounting position (standard is middle): left/right



| Technical Data | | Only Robot (Including Tool & Workpiece) | With Additional Static Load (Including Robot & Additional Equipment) |
|---|-------------------|--|---|
| Max. Payload | (per carriage) kg | 4.000 | 6.000 |
| Max. Speed | m/min | 120 | 102 |
| Max Acceleration | m/s ² | 2 | 1,9 |
| Available stroke | travel length | From 2 m, in 1 m steps | |
| Total length | | Stroke + 5.85 m | Stroke + 5.85 m |
| Robot Payload | kg | 240-700 | |
| Max. Robot Weight* | kg | 2.000 | |
| *Includes tool, workpiece, options | | | |
| Mounting position | | Floor, Wall**, Ceiling, Elevated*** | Floor, Wall**, Ceiling, Elevated*** |
| **In case of wall mounting, maximum payload reduces to half | | | |
| ***Ask for detailed information about it | | | |
| Repeatability | mm | ± 0,01 | ± 0,01 |
| Life | million meter | 10 | 10 |

