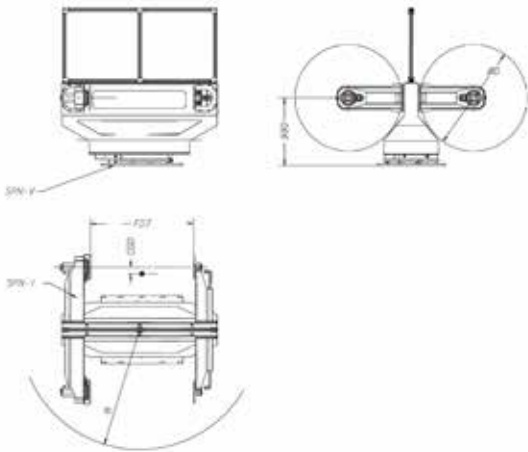


3 axes horizontal (turn table) rotating-type positioner with 2 fixture positions. Suitable for light and medium weight payloads.

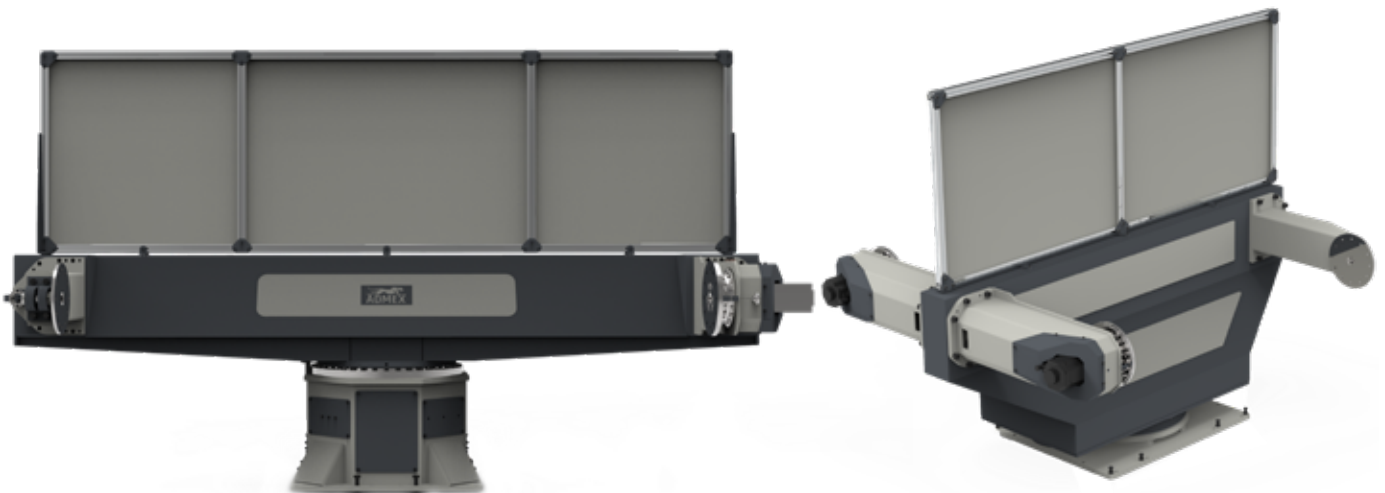


## Specifications

- The SPN-H3 is built up with our modular system. It has 2 fixture positions.
- The positioner is designed for rigidity, with high strength welded steel structure.
- The modular design also makes it possible to manufacture this positioner to a low cost that will keep the price to customer low.
- We are using state of art reduction gearboxes, X bearings and gear solutions
- There are several options available

## Available options:

- Ground bushing with sliding copper blocks.
- Ground cables connected to a connection point at positioner base.
- Swivel unit, for air and signals. (not servo motor signals)
- Home/safe position sensors.
- Servo motor integration.
- Special color of paint.





Technical Data		SPN-H3-500	SPN-H3-750	SPN-H3-1000	SPN-H3-2000	
		SPN-ID-500	SPN-ID-750	SPN-ID-1000	SPN-ID-2000	
<b>ROTATION AXES</b>	<b>Max. Payload</b>	kg	500	750	1.000	2.000
	<b>Fixture Diamater</b>	mm	800	800	800	1.500
			1.200	1.200	1.200	2.000
			1.600	1.600	1.600	
					2.000	
	<b>Max Fixture Lenght</b>	mm	4.500	4.500	4.000	4.000
	<b>COG Offset</b>	mm	225	225	180	180
	<b>Max. Speed</b>	rpm	20	17,5	15	10
		degree/s	120	105	90	60
	<b>Index Time</b>	s/180 degree	2	2	2,3	3,5
<b>Allowable Inertia</b>	kgm <sup>2</sup>	250	400	530	2.300	
<b>INDEX AXES</b>			SPN-V-3000	SPN-V-3000	SPN-V-5000	SPN-V-10000
	<b>Max. Payload</b>	kg	3.000	3.000	5.000	10.000
	<b>Fixture Diamater</b>	mm	4.500	4.500	5.000	5.000
	<b>Max Fixture height</b>	mm	1.500	1.500	2.000	2.000
	<b>COG Offset</b>	mm	250	250	250	250
	<b>Max. Speed</b>	rpm	8,6	8,6	6,3	6
		degree/s	51,6	51,6	37,8	36
	<b>Index Time</b>	s/180 degree	4,5	4,5	6	6
<b>Allowable Inertia</b>	kgm <sup>2</sup>	7.500	7.500	15.000	30.000	