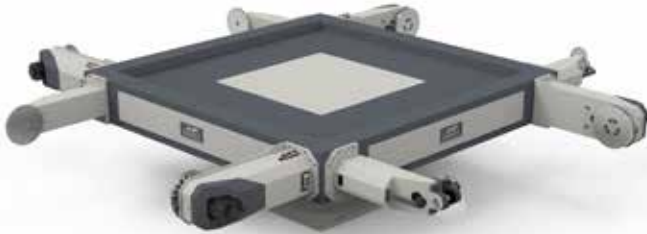


5 axis turn table type positioner with 4 fixture positions. Suitable for light and medium weight payloads.

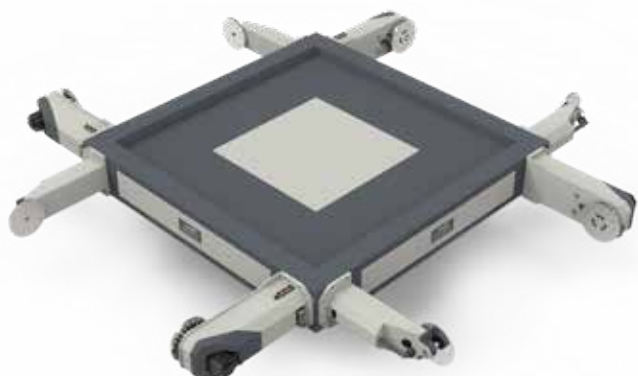
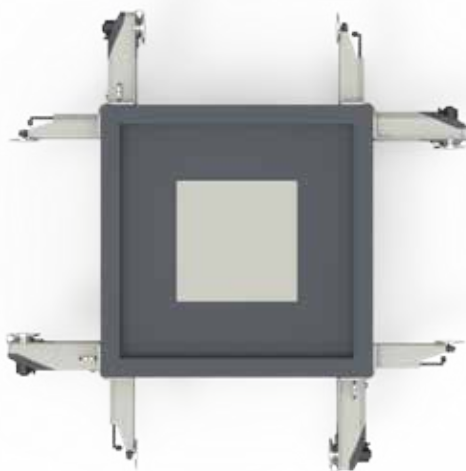
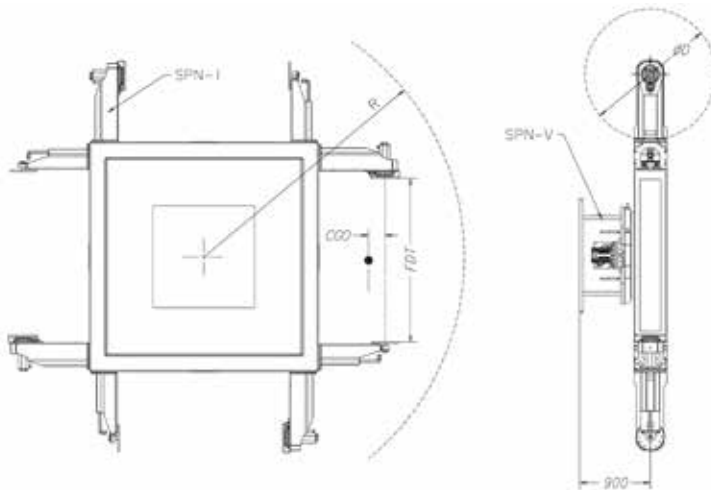


Specifications

- The SPN-H5 is built up with our modular system. It has 4 fixture positions.
- The positioner is designed for rigidity, with high strength welded steel structure.
- The modular design also makes it possible to manufacture this positioner to a low cost that will keep the price to customer low.
- We are using state of art reduction gearboxes, X bearings and gear solutions.
- There are several options available.

Available options:

- Ground bushing with sliding copper blocks.
- Ground cables connected to a connection point at positioner base.
- Swivel unit, for air and signals. (not servo motor signals)
- Home/safe position sensor.
- Servo motor integration.
- Special color of paint.





Technical Data		SPN-H5-500	SPN-H5-750	SPN-H5-1000	SPN-H5-1500	
		SPN-ID-500	SPN-ID-750	SPN-ID-1000	SPN-ID-1500	
ROTATION AXES	Max. Payload	kg	500	750	1.000	1.500
	Fixture Diamater	mm	800	800	800	1.500
			1.200	1.200	1.200	2.000
			1.600	1.600	1.600	2.500
					2.000	3.000
	Max Fixture Lenght	mm	4.500	4.500	4.000	10.000
	COG Offset	mm	225	225	180	180
	Max. Speed	rpm	20	17,5	15	10
		degree/s	120	105	90	60
	Index Time	s/180 degree	2	2	2,3	3,5
Allowable Inertia	kgm ²	250	400	530	1.750	
INDEX AXES		SPN-V-5000	SPN-V-5000	SPN-V-10000	SPN-V-10000	
	Max. Payload	kg	5.000	5.000	10000	10.000
	Fixture Diamater	mm	5.000	5.000	5.000	5.000
	Max Fixture height	mm	2.000	2.000	2.000	2.000
	COG Offset	mm	250	250	250	250
	Max. Speed	rpm	6,3	6,3	6	6
		degree/s	37,8	37,8	36	36
	Index Time	s/180 degree	6	6	6	6
Allowable Inertia	kgm ²	15.000	15.000	30.000	30.000	