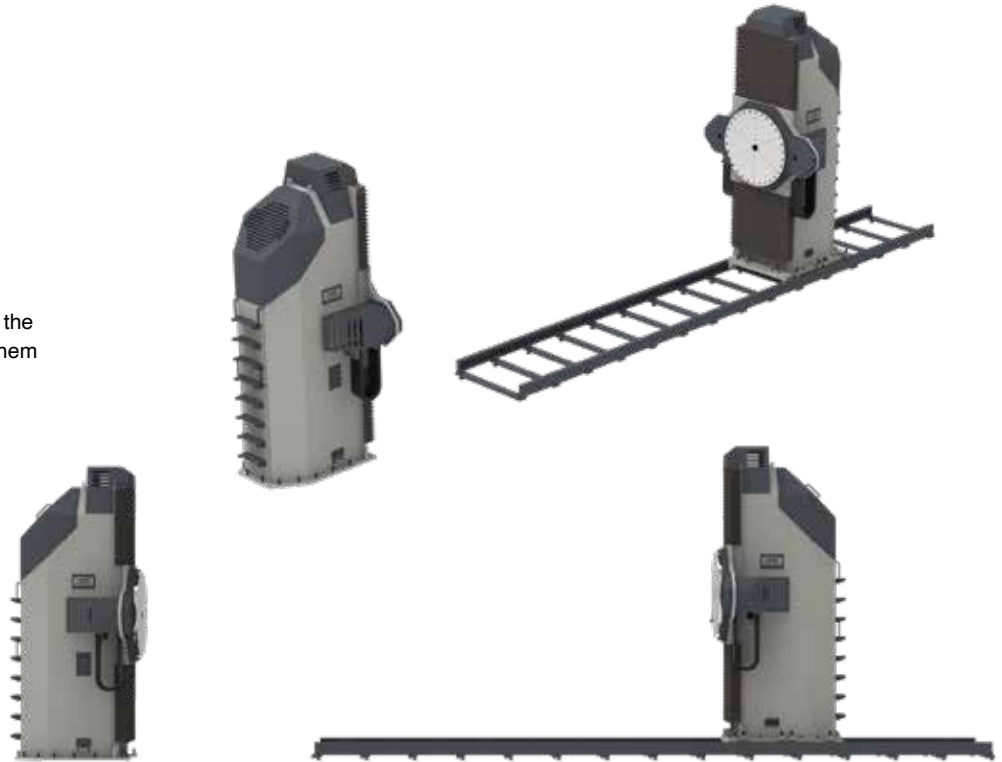


Specifications

- Z-stroke units are combined with SPN-IB, SPN-L and SPN-D tailstocks, to increase the work envelope or optimize loading/working positions.
- Z stroke units are always servo motor driven and integrated with the other axis servo systems.

Available options can be varied related to the main type of the positioner. Please refer them for details.



Technical Data		SPN-IBD-Z 1500	SPN-IBD-Z 3000	SPN-IBD-Z 5000	SPN-IBD-Z 10000	SPN-IBD-Z 20000	SPN-IBD-Z 40000	SPN-IBD-Z 60000
Max. Payload	<i>kg</i>	1.500	3.000	5.000	10.000	20.000	40.000	60.000
		0,5	0,5	1	1	1	1	1
Stroke	<i>mm</i>	1.000	1.000	1.500	1.500	1.500	1.500	1.500
		-	-	2	2	2	2	2
Max Fixture Length	<i>mm</i>	10.000	10.000	10.000	10.000	10.000	10.000	10.000
COG Offset	<i>mm</i>	180	150	110	110	80	80	80
Max. Speed	<i>rpm</i>	10	7	6	5,5	3,5	3	2,4
	<i>degree/s</i>	60	42	36	33	21	18	14,4
Index Time	<i>s/180 degree</i>	3,5	4,7	5,5	6	9,5	11,2	13,2
Allowable Inertia	<i>kgm²</i>	1.750	3.500	7.750	20.000	40.000	100.000	140.000