

5 axis turn table type positioner with 4 fixture positions.
Suitable for light and medium weight payloads.

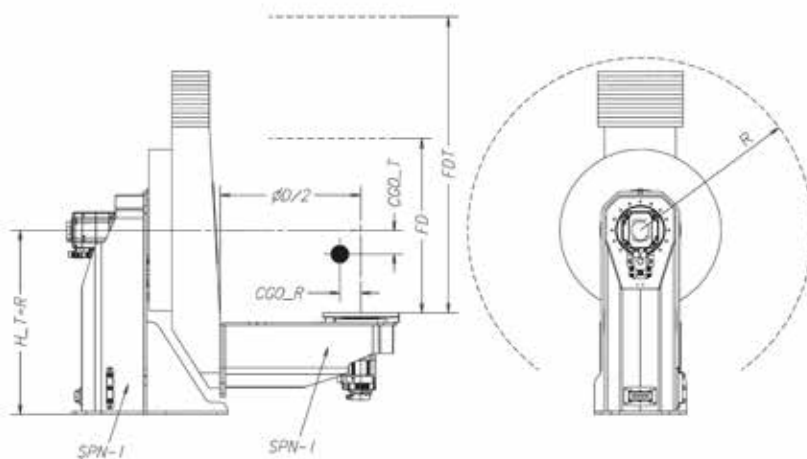


Specifications

- The SPN-L and SPN-LB are basic modulars, dualaxis positioner.
- The positioner is designed for rigidity, with high strength welded steel structure.
- The design also makes it possible to manufacture this positioner to a low cost that will keep the price to customer low.
- We are using state of art reduction gearboxes.
- The positioner can be equipped with fixed or sliding tailstock.
- There are several options available.

Available options:

- Extra servo controlled Z-stroke at tilt axes.
- Ground bushing with sliding copper blocks.
- Ground cables connected to a connection point at positioner base.
- Fixed tailstock.
- Sliding tailstock.
- Z-stroke unit.
- Swivel unit, for air and signals. (not servo motor signals)
- Home/safe position sensor.
- Servo motor integration.
- Special color of paint.





ROTATION AXES

Technical Data		SPN-L-500	SPN-L-750	SPN-L-1000	SPN-L-2000
		SPN-ID-500	SPN-ID-750	SPN-ID-1000	SPN-ID-2000
Max. Payload	kg	500	750	1.000	2.000
		800	800	800	1.500
Fixture Diamater	mm	1.200	1.200	1.200	2.000
		1.600	1.600	1.600	2.500
		2.000	2.000	2.000	3.000
COG Offset	mm	225	225	180	
Max. Speed	rpm	20	17,5	15	10
	degree/s	120	105	90	60
Index Time	s/180 degree	2	2	2,3	3,5
Allowable Inertia	kgm ²	250	400	530	2.300

TILT AXES

		SPN-IBD-1500	SPN-IBD-1500	SPN-IBD-3000	SPN-IBD-5000
Max. Payload	kg	1.500	1.500	3.000	5.000
		1.500	1.500	1.500	2.000
Fixture Diamater	mm	2.000	2.000	2.000	2.500
		2.500	2.500	2.500	3.000
		3.000	3.000	3.000	3.500
COG Offset	mm	180	180	150	110
Max. Speed	rpm	10	10	7	6
	degree/s	60	60	42	36
Index Time	s/180 degree	3,5	3,5	4,7	5,5
Allowable Inertia	kgm ²	1.750	1.750	3.500	7.750

ROTATION AXES

Technical Data		SPN-LB-1500	SPN-LB-3000	SPN-LB-5000	SPN-LB-10000	SPN-LB-15000
Max. Payload	kg	1.500	3.000	5.000	10.000	20.000
		1.500	1.500	2.000	2.500	2.500
Fixture Diamater	mm	2.000	2.000	2.500	3.000	3.000
		2.500	2.500	3.000	3.500	3.500
		3.000	3.000	3.500	4.000	4.000
COG Offset	mm	180	150	110	110	80
Max. Speed	rpm	10	7	6	5,5	3,5
	degree/s	60	42	36	33	21
Index Time	s/180 degree	3,5	4,7	5,5	6	9,5
Allowable Inertia	kgm ²	1.750	3.500	7.750	20.000	40.000

TILT AXES

		SPN-IBD-3000	SPN-IBD-5000	SPN-IBD-10000	SPN-IBD-20000	SPN-IBD-40000
Max. Payload	kg	3.000	5.000	10.000	20.000	40.000
		1.500	2.000	2.500	2.500	2.500
Fixture Diamater	mm	2.000	2.500	3.000	3.000	3.000
		2.500	3.000	3.500	3.500	3.500
		3.000	3.500	4.000	4.000	4.000
COG Offset	mm	150	110	110	80	80
Max. Speed	rpm	7	6	5,5	3,5	3
	degree/s	42	36	33	21	18
Index Time	s/180 degree	4,7	5,5	6	9,5	11,2
Allowable Inertia	kgm ²	3.500	7.750	20.000	40.000	100.000