

5 axis double L-type positioner with a counter weight tilt axis placed on a rotating center.
Suitable for light and medium payloads.

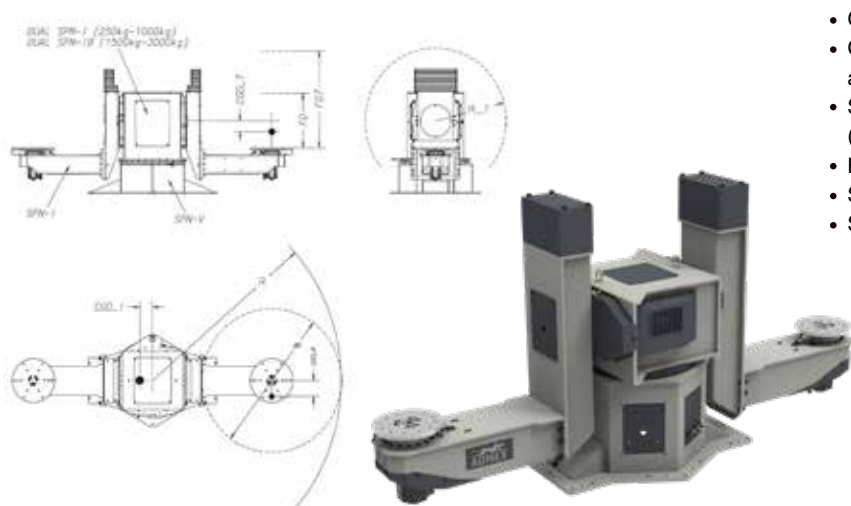


Specifications

- The SPN-LLB is built up with our modular system. It has 2 fixture positions and are suitable for payloads up to 3.000 kg.
- The positioner is designed for rigidity, with high strength welded steel structure.
- The modular design also makes it possible to manufacture this positioner to a low cost that will keep the price to customer low.
- We are using state of art reduction gearboxes, X bearings and gear solutions.
- There are several options available.

Available options:

- Extra servo controlled Z-stroke.
- Ground bushing with sliding copper blocks.
- Ground cables connected to a connection point at positioner base.
- Swivel unit, for air and signals. (not servo motor signals)
- Home/safe position sensor.
- Servo motor integration.
- Special color of paint.



Technical Data		SPN-LLB-500	SPN-LLB-750	SPN-LLB-1000	SPN-LLB-2000	SPN-LLB-3000
		SPN-ID-500	SPN-ID-750	SPN-ID-1000	SPN-ID-2000	SPN-ID-3000
Max. Payload	<i>kg</i>	500	750	1.000	2.000	3.000
		800	800	800	1.500	1.500
		1.200	1.200	1.200	2.000	2.000
		1.600	1.600	1.600	2.500	2.500
		2.000	2.000	2.000	3.000	3.000
Fixture Diamater	<i>mm</i>					10.000
						150
COG Offset	<i>mm</i>	225	225	180		
Max. Speed	<i>rpm</i>	20	17,5	15	10	7
	<i>degree/s</i>	120	105	90	60	42
Index Time	<i>s/180 degree</i>	2	2	2,3	3,5	4,7
Allowable Inertia	<i>kgm²</i>	250	400	530	2.300	3.500

ROTATION AXES

Technical data is subject to change without prior notice.



Technical Data		SPN-LLB-500	SPN-LLB-750	SPN-LLB-1000	SPN-LLB-2000	SPN-LLB-3000	
TILT AXES		SPN-IBD-1500	SPN-IBD-1500	SPN-IBD-3000	SPN-IBD-5000	SPN-IBD-5000	
	Max. Payload	kg	1.500	1.500	3.000	5.000	5.000
	Fixture Diameter	mm	1.500	1.500	1.500	2.000	2.000
			2.000	2.000	2.000	2.500	2.500
			2.500	2.500	2.500	3.000	3.000
	COG Offset	mm	3.000	3.000	3.000	3.500	3.500
			180	180	150	110	110
	Max. Speed	rpm	10	10	7	6	6
		degree/s	60	60	42	36	36
	Index Time	s/180 degree	3,5	3,5	4,7	5,5	5,5
Allowable Inertia	kgm ²	1.750	1.750	3.500	7.750	7.750	
INDEX AXES		SPN-V-3000	SPN-V-3000	SPN-V-5000	SPN-V-10000	SPN-V-10000	
	Max. Payload	kg	3.000	3.000	5.000	10.000	10.000
	Fixture Diameter	mm	4.500	4.500	5.000	5.000	5.000
	Max Fixture height	mm	1.500	1.500	2.000	2.000	2.000
	COG Offset	mm	250	250	250	250	250
	Max. Speed	rpm	8,6	8,6	6,3	6	6
		degree/s	51,6	51,6	37,8	36	36
	Index Time	s/180 degree	4,5	4,5	6	6	6
Allowable Inertia	kgm ²	7.500	7.500	15.000	30.000	30.000	