

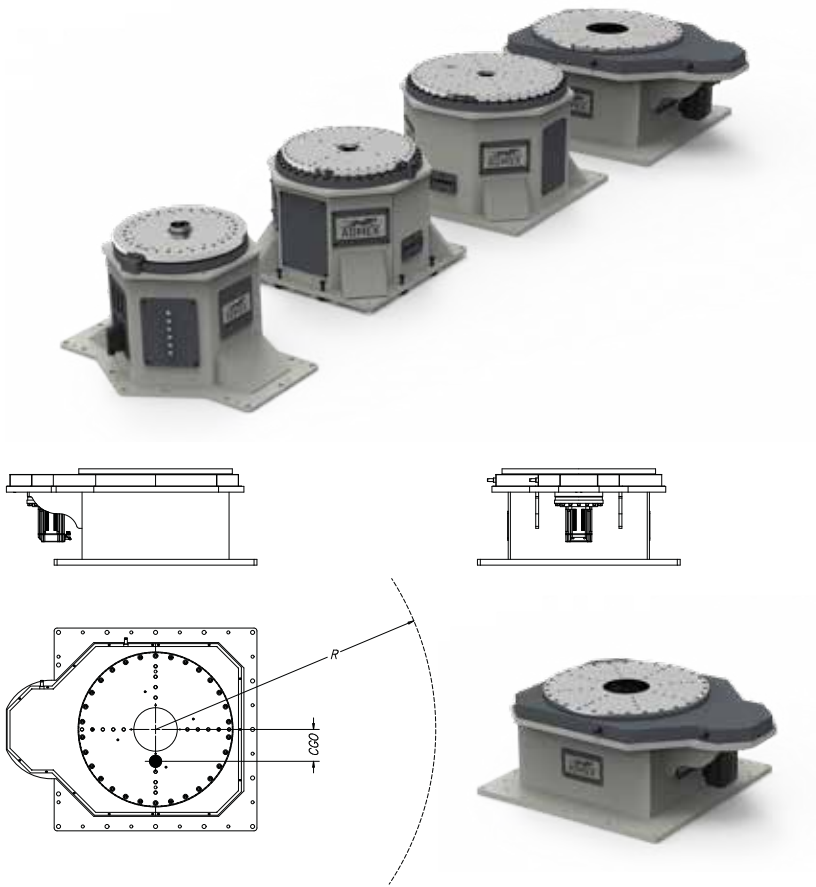
Single axis turn table positioner for heavy payloads. Suitable for large diameter workpieces.
Available also in extra high accuracy version for machining type applications.

Specifications

- The SPN-V is a basic module, single axis positioner for heavy duty applications up to * 30.000 kg payload.
- The positioner is designed for rigidity, with high strength welded steel structure.
- The design also makes it possible to manufacture this positioner to a low cost that will keep the price to customer low.
- We are using state of art reduction gearboxes, X bearings and gear solutions.
- There are several options available.

Available options:

- Ground bushing with sliding copper blocks.
- Swivel unit, for air and signals.
- Extra high accuracy version.
- Home /safe position sensor.
- Servo motor integration.
- Special color of paint.



Technical Data		SPN-V-3000	SPN-V-5000	SPN-V-10000	SPN-V-20000
Max. Payload	kg	3.000	5.000	10.000	20.000
Fixture Diameter	mm	4.500	5.000	5.000	5.000
Max Fixture height	mm	1.500	2.000	2.000	2.000
COG Offset	mm	250	250	250	250
Max. Speed	rpm	8,6	6,3	6	4
	degree/s	51,6	37,8	36	24
Index Time	s/180 degree	4,5	6	6	8,5
Allowable Inertia	kgm ²	7.500	15.000	30.000	50.000

Technical data is subject to change without prior notice.

* In case of need more than 20.000 kg payload please ask to TDRi

© 2020 TDRi. All rights reserved.